



# INSTALLATION INSTRUCTIONS

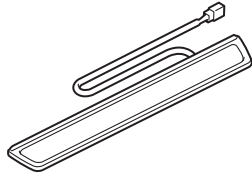
Accessory  
**ILLUMINATED  
DOOR SILL TRIM**  
(08E12-TZ5-210)

Application  
**2017 MDX**

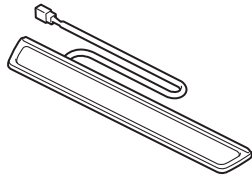
Publications No.  
**VERSION 1**  
Issue Date  
**JUN 2016**

## PARTS LIST

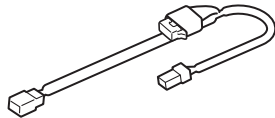
Right illuminated door sill trim



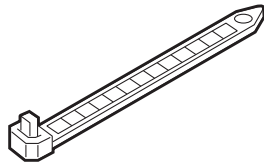
Left illuminated door sill trim



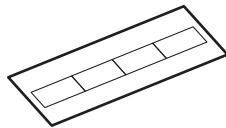
2 Door sill trim harnesses



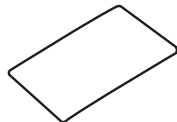
11 Wire ties



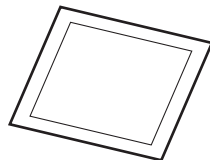
2 Fuse labels



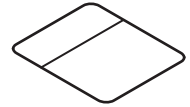
2 Aluminum tapes



2 Alcohol swabs



Protective tape



2 Protective clips



## TOOLS AND SUPPLIES REQUIRED

Isopropyl alcohol

Shop towel

Diagonal cutters

10 mm Open end wrench

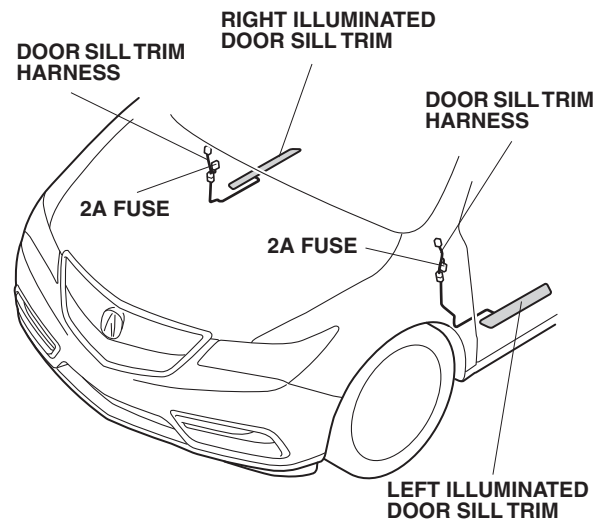
Ruler

Scissors

*The following tool is available through the Honda Tool and Equipment Program. On the iN, click on: Service > Service Bay > Tool and Equipment Program, then enter the number under "Search". Or, call 888-424-6857.*

- Trim Tool Set (T/N SOJATP2014)

## Illustration of the Illuminated Door Sill Trim in the Vehicle

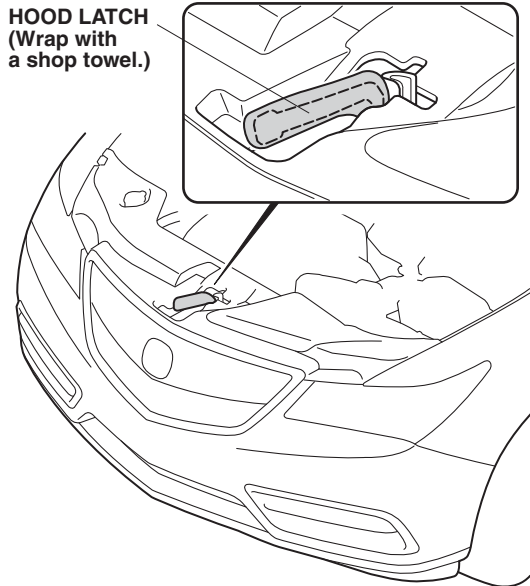


QB02622AJ

## INSTALLATION

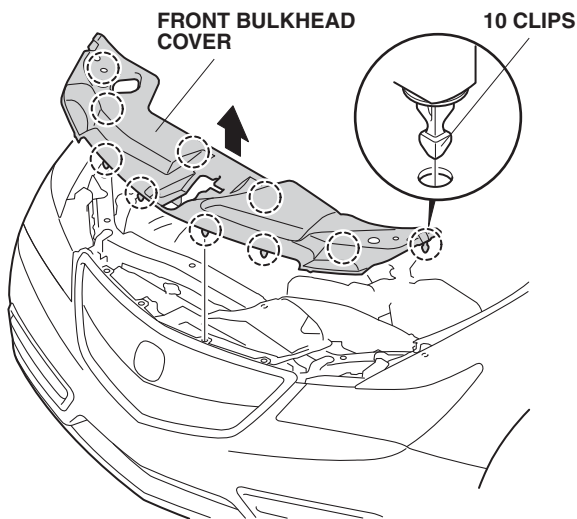
**Client Information:** The information in this installation instruction is intended for use only by skilled technicians who have the proper tools, equipment, and training to correctly and safely add equipment to your vehicle. These procedures should not be attempted by “do-it-yourselfers.”

1. Disconnect the negative cable:
  - Wrap a shop towel around the hood latch.



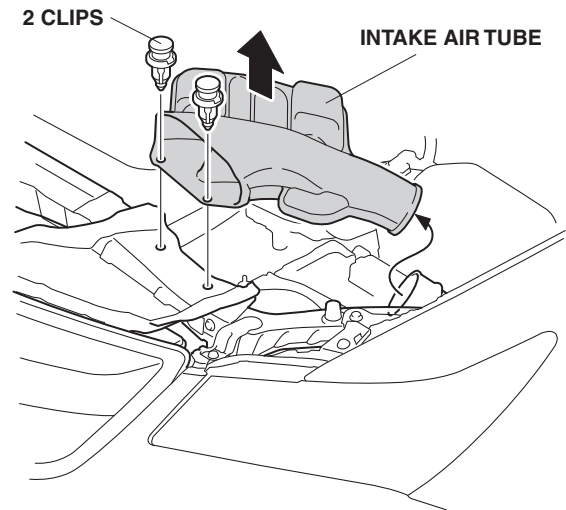
QBN1201BK

- Remove the front bulkhead cover (10 clips).



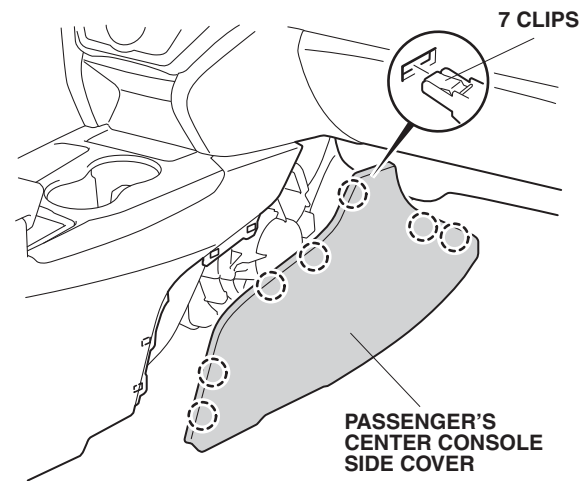
QBN1202BK

- Remove the intake air tube (two clips).
- Disconnect the negative cable from the battery.



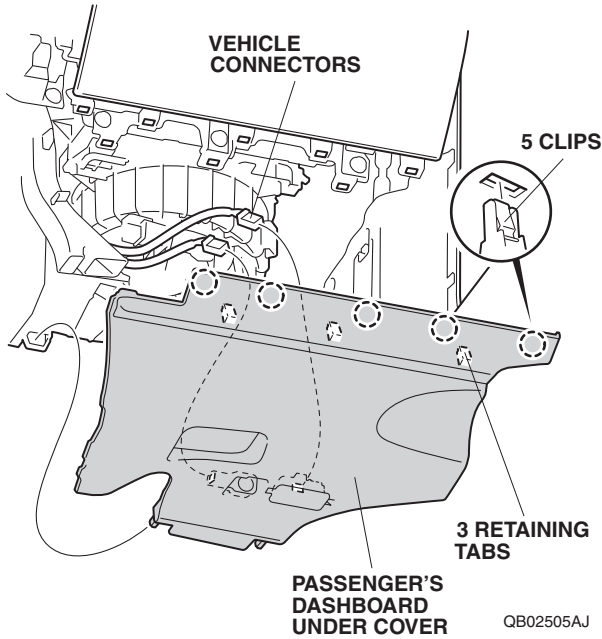
QBN1504BK

2. Remove the passenger's center console side cover (seven clips).

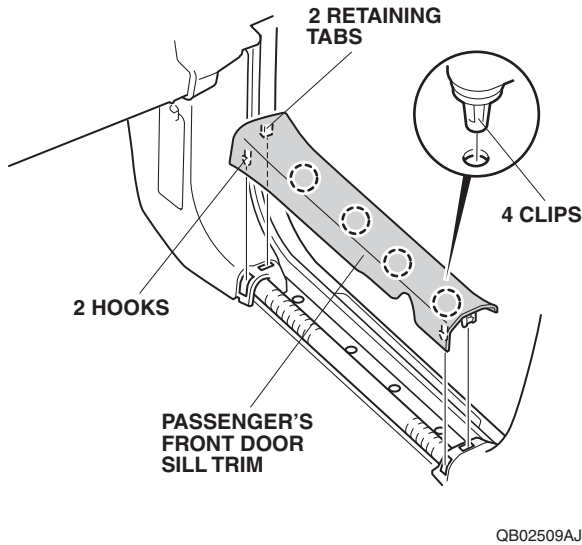


QB02504AJ

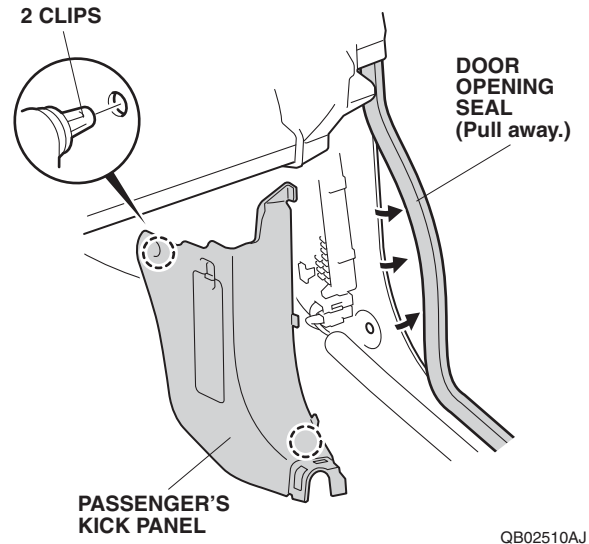
- Remove the passenger's dashboard under cover (five clips, three retaining tabs, and unplug the vehicle connectors).



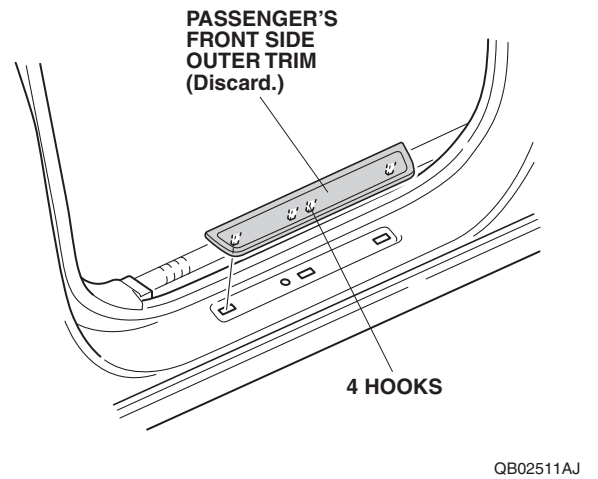
- Remove the passenger's front door sill trim (four clips, two retaining tabs, and two hooks).



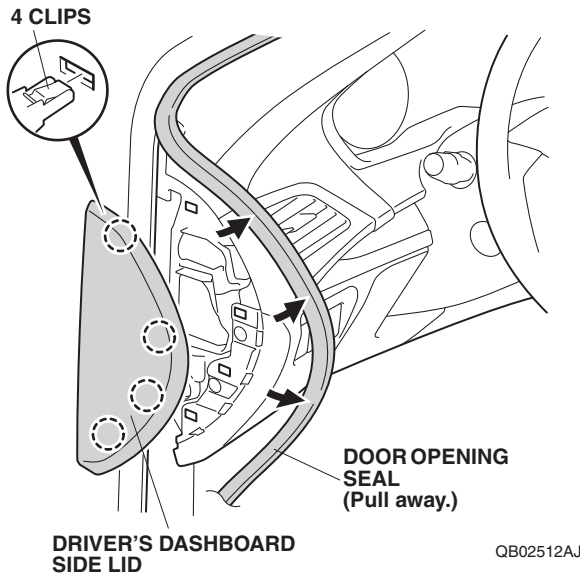
- Pull away the door opening seal, and remove the passenger's kick panel (two clips).



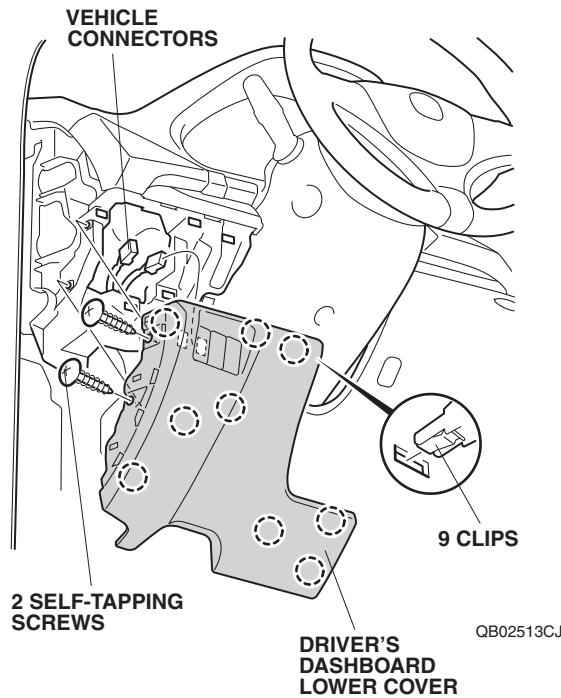
- Remove the passenger's front side outer trim (four hooks).



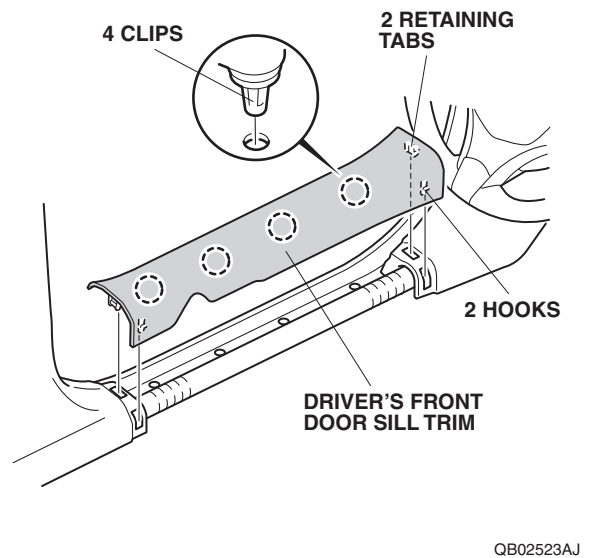
- Pull away the door opening seal, and remove the driver's dashboard side lid (four clips).



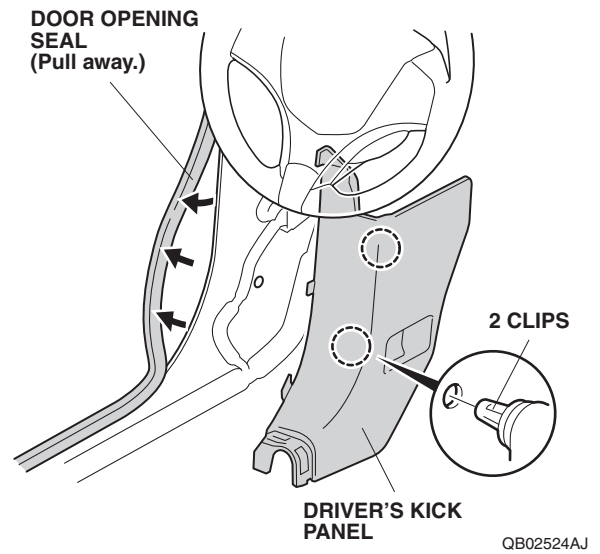
- Remove the driver's dashboard lower cover (two self-tapping screws, nine clips, and unplug the vehicle connectors).



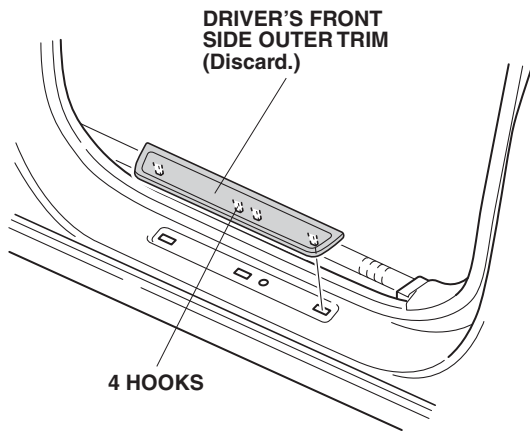
- Remove the driver's front door sill trim (four clips, two retaining tabs, and two hooks).



- Pull away the door opening seal, and remove the driver's kick panel (two clips).

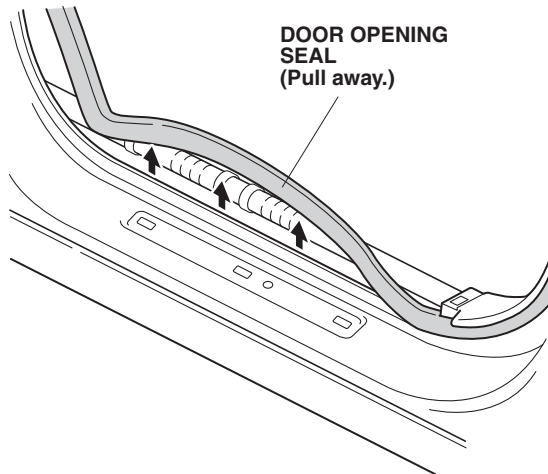


11. Remove the driver's front side outer trim (four hooks).



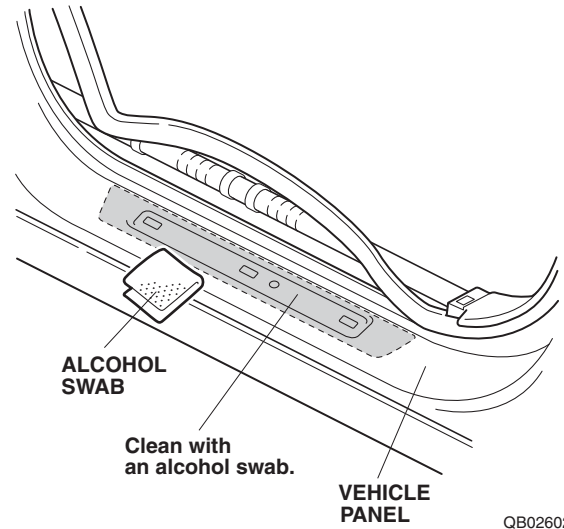
QB02525AJ

12. Pull away the door opening seal in the area shown.



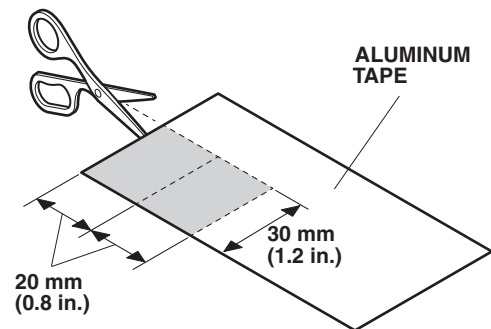
QB02601AJ

13. Using an alcohol swab, thoroughly clean the vehicle panel where the left illuminated door sill trim will attach.



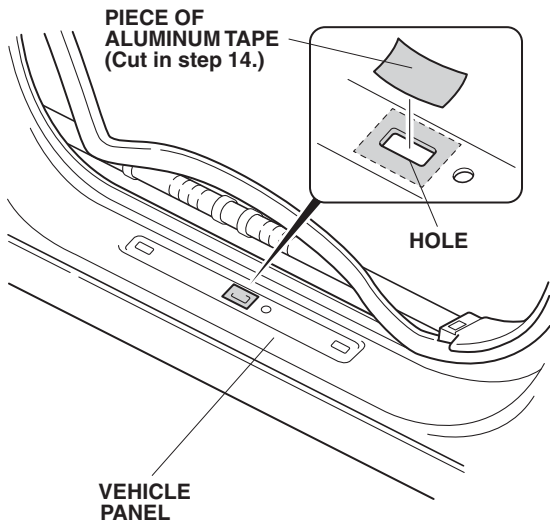
QB02602AJ

14. Using scissors, cut the aluminum tape as shown.



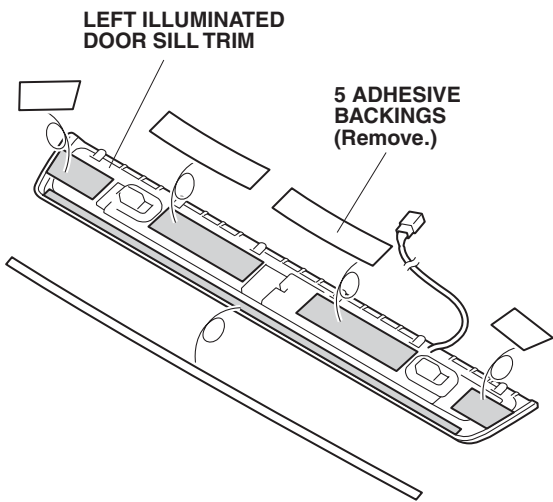
QB02603AJ

15. Attach one piece of aluminum tape cut in step 14 over the hole as shown.



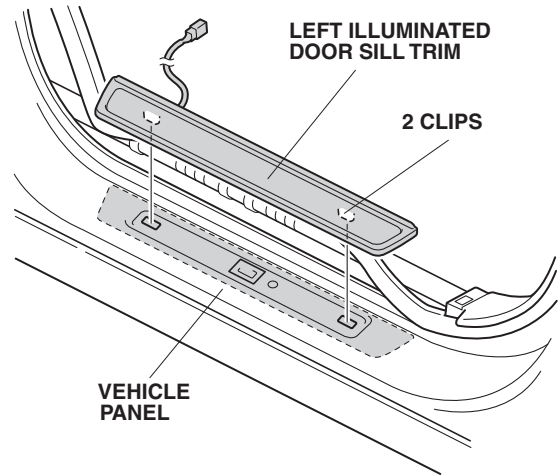
QB02604AJ

16. Remove five adhesive backings from the left illuminated door sill trim.



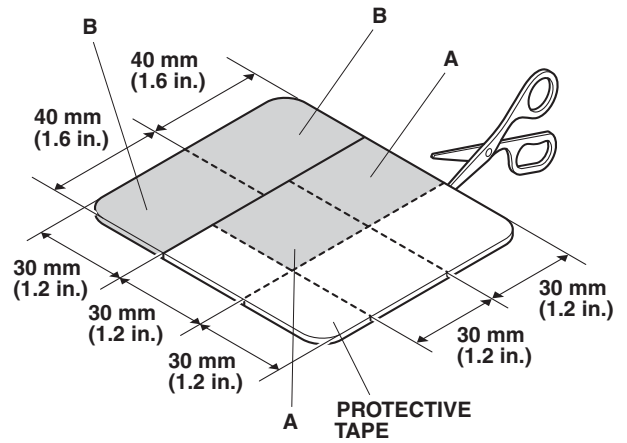
QB02611AJ

17. Attach the left illuminated door sill trim to the vehicle panel (two clips). Press on the adhesive part of left illuminated door sill trim firmly.



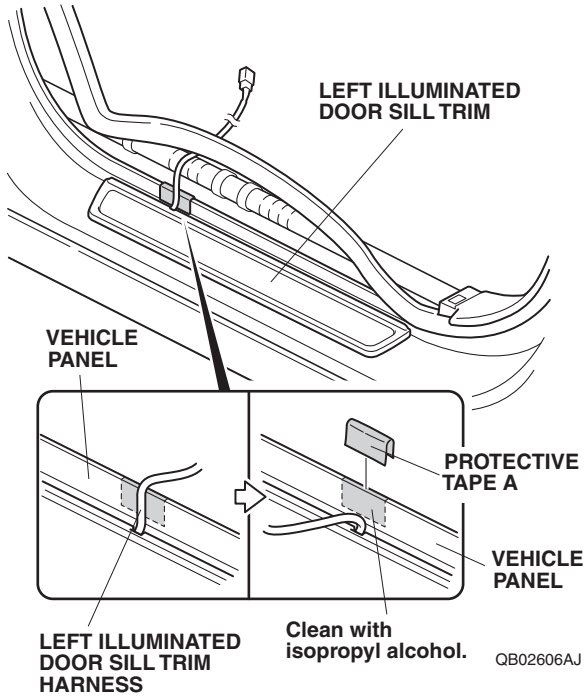
QB02605AJ

18. Using scissors, cut the protective tape as shown.

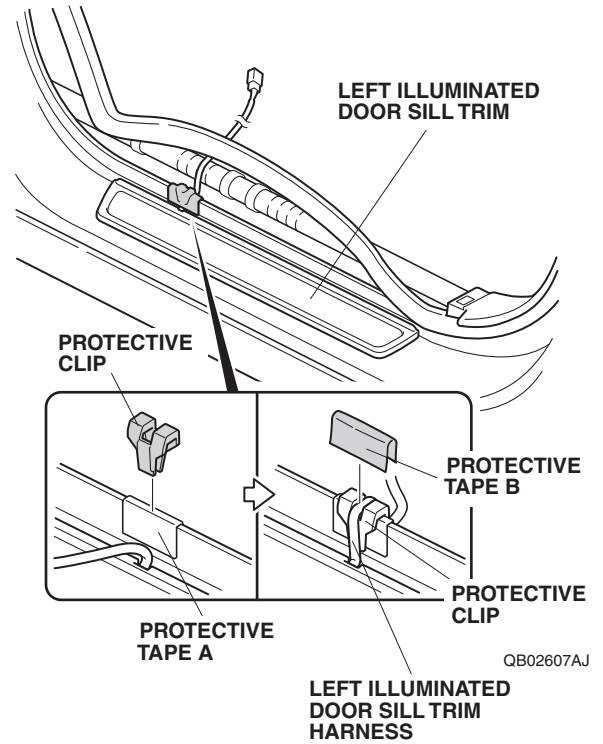


QB20905BB

- Using isopropyl alcohol on a shop towel, thoroughly clean the vehicle panel where the protective tape will attach. Attach one piece of protective tape A to the vehicle panel as shown.

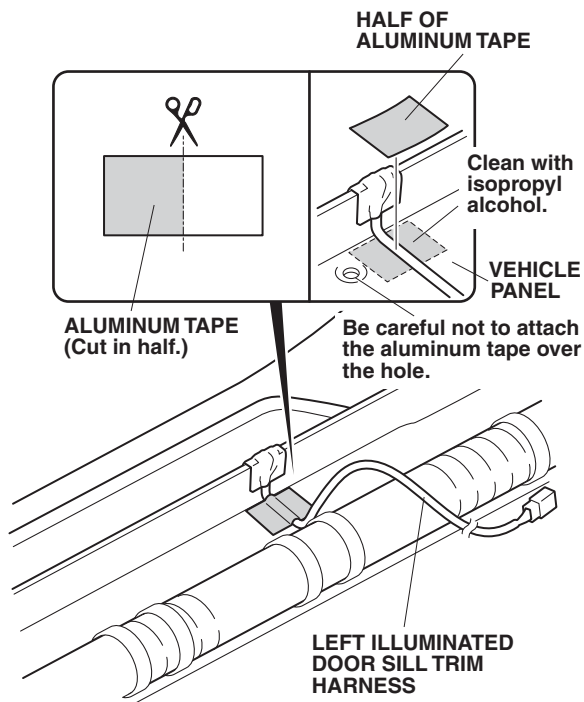


- Install the protective clip to the protective tape A on the vehicle panel.



- Align and route the left illuminated door sill trim harness over the protective clip as shown.
- Attach the one piece of protective tape B to the protective clip.

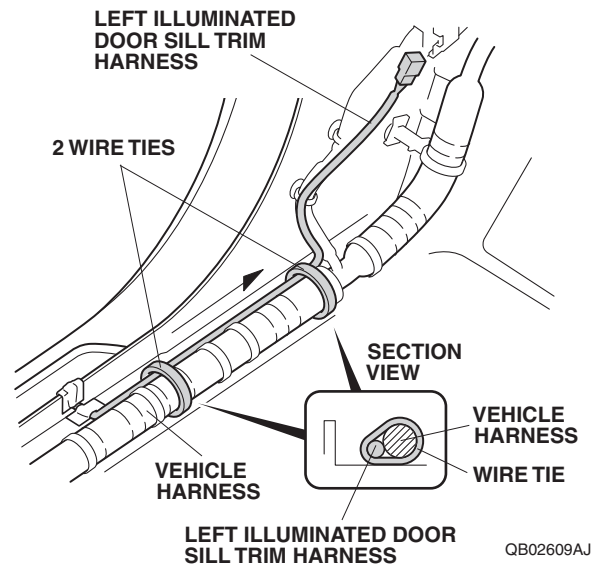
23. Using isopropyl alcohol on a shop towel, thoroughly clean the vehicle panel where the aluminum tape will attach.



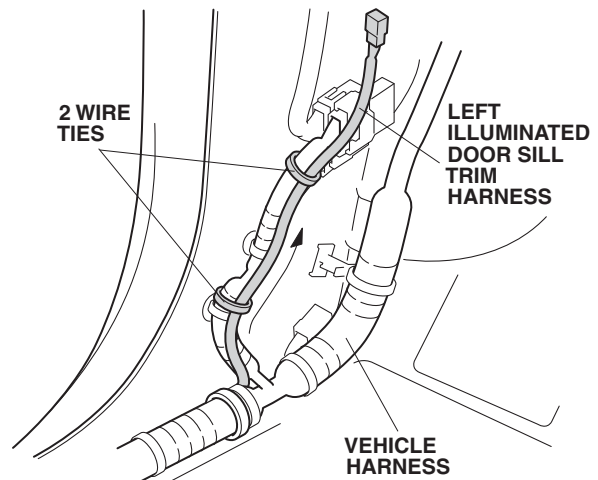
QB02608AJ

24. Using scissors, cut one aluminum tape in half. Secure the left front illuminated door sill trim harness to the vehicle panel with one half of aluminum tape.
25. Repeat steps 12 through 24 to install the right illuminated door sill trim on the right side of the vehicle.

26. Route the left illuminated door sill trim harness along the vehicle harness.



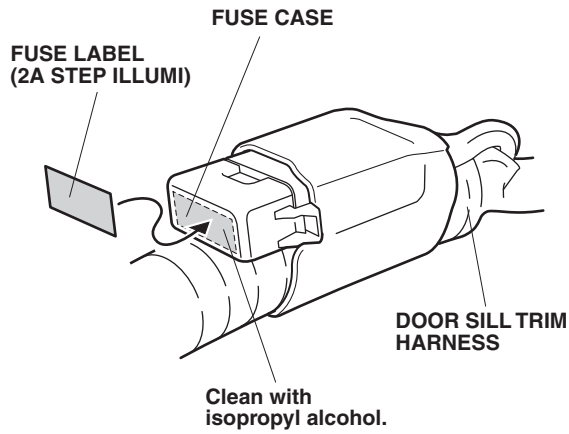
27. Secure the left illuminated door sill trim harness to the vehicle harness with two wire ties.
28. Route the left illuminated door sill trim harness along the vehicle harness.



29. Secure the left illuminated door sill trim harness to the vehicle harness with two wire ties.

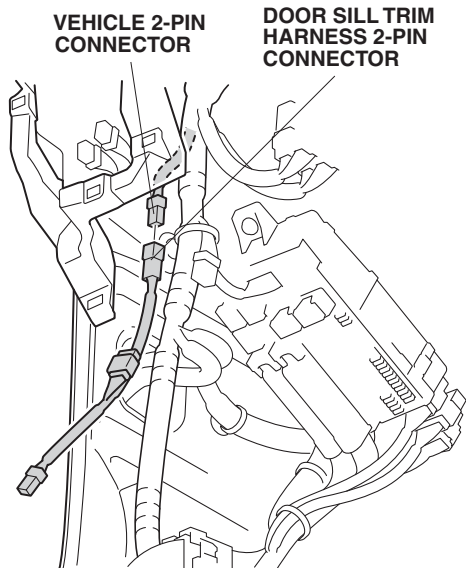


- Using isopropyl alcohol on a shop towel, thoroughly clean the fuse case where the fuse label will attach. Attach the fuse label (2A STEP ILLUMI) to the fuse case on the door sill trim harness.



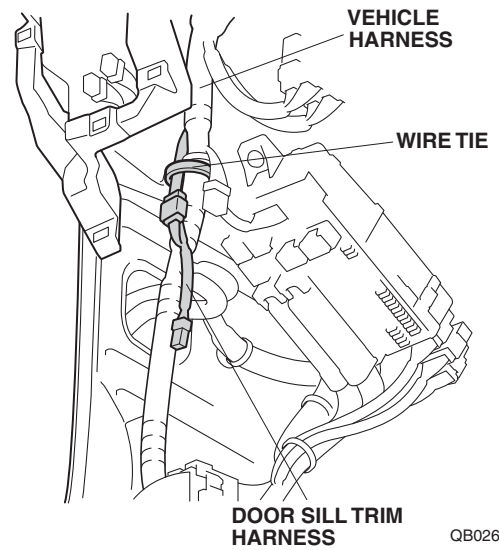
QB02621AJ

- Plug the vehicle 2-pin connector into the door sill trim harness 2-pin connector.



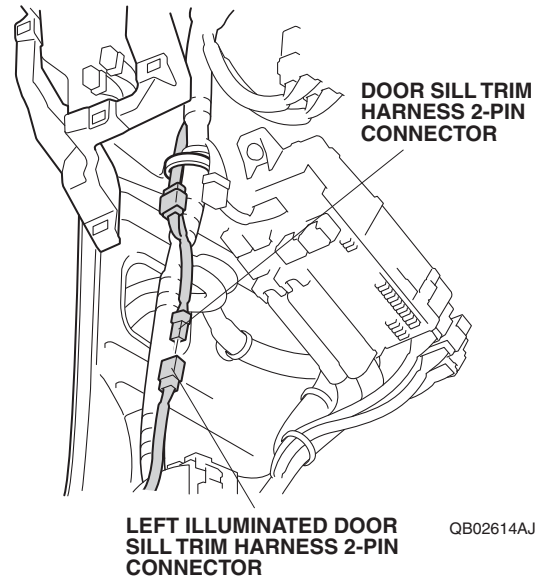
QB02612AJ

- Secure the door sill trim harness to the vehicle harness with one wire tie.



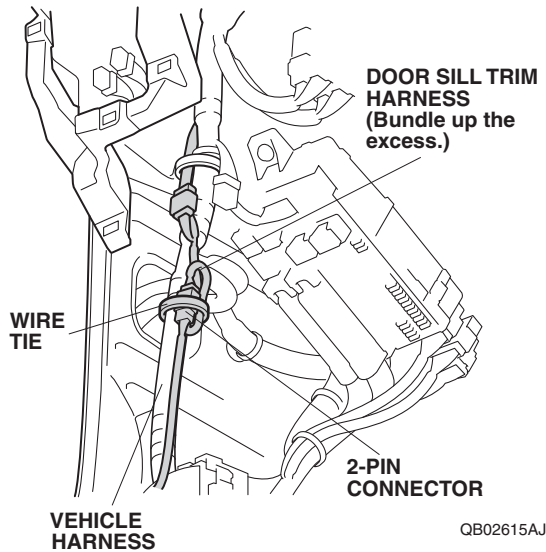
QB02613AJ

- Plug the door sill trim harness 2-pin connector into the left illuminated door sill trim harness 2-pin connector.

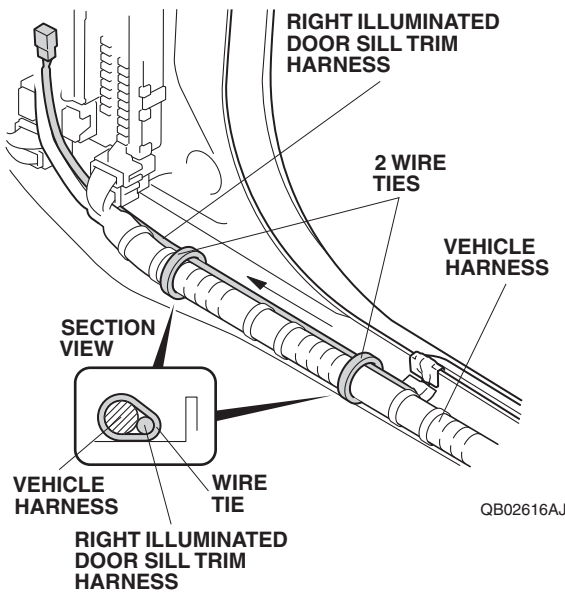


QB02614AJ

34. Bundle up the excess door sill trim harness, and secure it and 2-pin connectors to the vehicle harness with one wire tie.

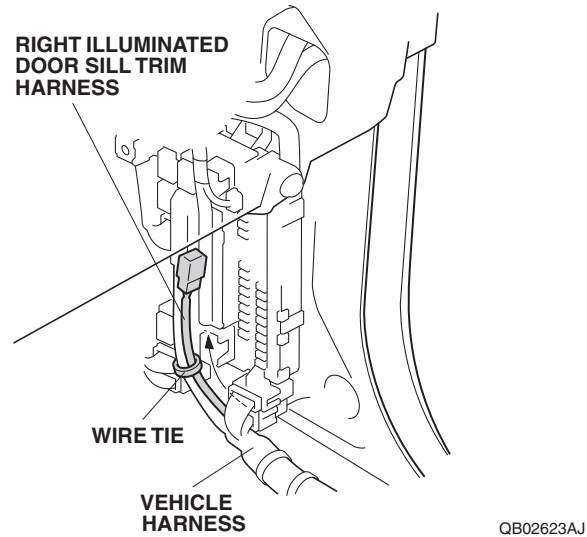


35. Route the right illuminated door sill trim harness along the vehicle harness.



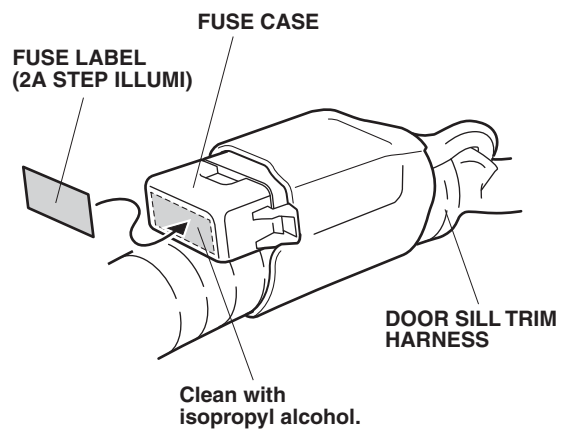
36. Secure the right illuminated door sill trim harness to the vehicle harness with two wire ties.

37. Route the right illuminated door sill trim harness along the vehicle harness.

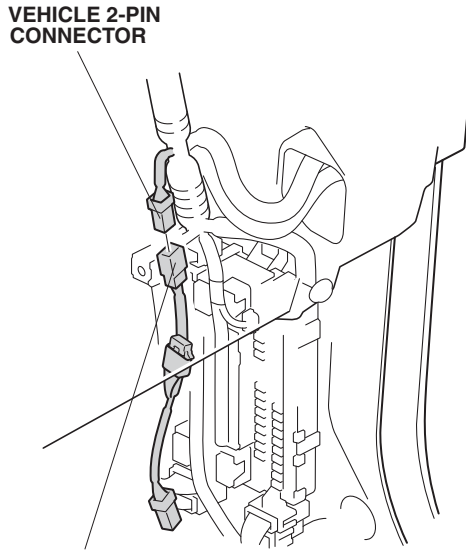


38. Secure the right illuminated door sill trim harness to the vehicle harness with one wire tie.

39. Using isopropyl alcohol on a shop towel, thoroughly clean the fuse case where the fuse label will attach. Attach the fuse label (2A STEP ILLUMI) to the fuse case on the door sill trim harness.

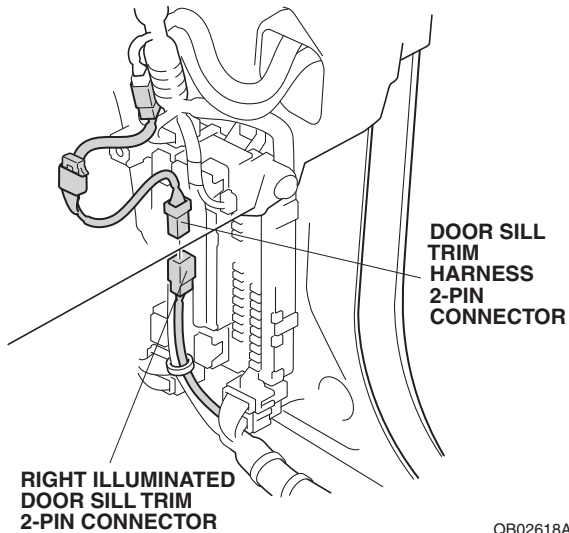


40. Plug the vehicle 2-pin connector into the door sill trim harness 2-pin connector.



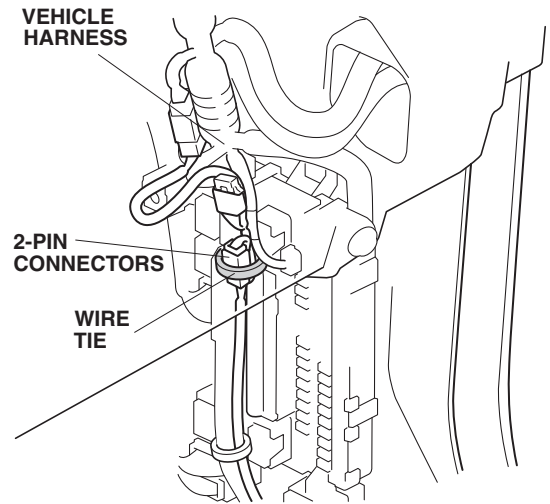
QB02617AJ

41. Plug the door sill trim harness 2-pin connector into the right illuminated door sill trim harness 2-pin connector.



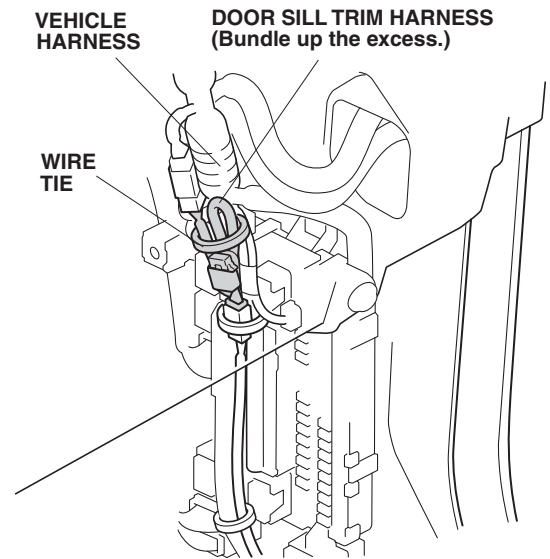
QB02618AJ

42. Secure the 2-pin connectors to the vehicle harness with one wire tie.



QB02619AJ

43. Bundle up the excess door sill trim harness, and secure it to the vehicle harness with one wire tie.



QB02620AJ

44. Check that all wire harnesses are routed properly and all connectors are plugged in.
45. Reinstall all removed parts except for the front bulkhead cover and the intake air tube.
46. Reconnect the negative cable to the battery.
47. Reinstall the front bulkhead cover and the intake air tube.
48. Press and hold the radio power button for two seconds to restore the radio and navi (if equipped) system functions.
49. Reset the clock.
50. Make sure the light comes on when you open each door.
51. Restore the systems back to normal operation as described in the Service Manual if necessary.